

SUJATA®

POP-UP TOASTER | PT12

OPERATING MANUAL



READ THE INSTRUCTIONS CAREFULLY
BEFORE OPERATING THIS POP-UP TOASTER

IMPORTANT SAFEGUARDS

When using an electrical appliance, basic safety precautions should always be followed, including the following:

Read all instructions

1. Always Unplug from outlet when not in use and before cleaning. Allow to cool before putting on or taking off parts.
2. Do not touch hot surfaces, use button or knob.
3. To protect against electrical shock, do not immerse cord, plugs, or any part of the toaster in water or other liquids. See instructions for cleaning.
4. Close supervision is necessary when this appliance is used by or near children.
5. Do not operate this appliance with a damaged cord or plug, or after the appliance has malfunctioned or has been dropped or damaged in any way, or if it is not operating properly. Return appliance to the nearest authorized service facility for examination, repair, or electrical or mechanical adjustment.
6. The use of other accessory attachments not recommended by the manufacturer may cause injury.
7. Do not use it outdoors.
8. Do not let cord hang over the edge of the table or counter-top or touch hot surfaces.
9. Do not place toaster on or near a hot gas or electric burner or a heated oven.
10. Do not use this toaster for other than intended use.
11. Oversize foods, metal foil packages or utensils must not be inserted in the toaster, as they may involve a risk of fire or electric shock.
12. A fire may occur if the toaster is covered or touching flammable materials, such as curtains, draperies or walls and the like when in operation, Do not operate under wall cabinets.
13. Do not attempt to dislodge food when the toaster is plugged into electrical outlet.
14. To avoid possibility of fire, Do not operate unattended.
15. To disconnect, push the Stop button, then remove plug from wall outlet.
16. Do not operate your appliance in an appliance garage or under a wall cabinet. When storing in an appliance garage, always unplug the unit from the electrical outlet. Not doing so could create a risk

of fire, especially if the appliance touches the walls of the garage or the door touches the unit as it closes.

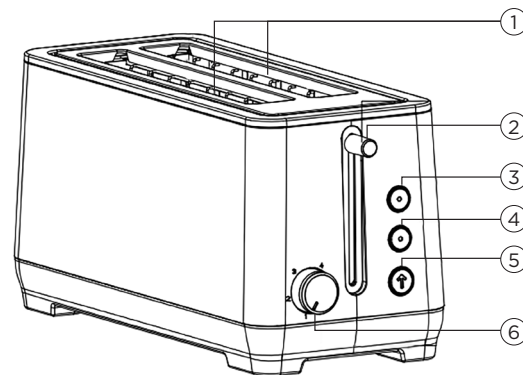
17. To disconnect, turn any control to "off", then remove plug from wall outlet.
18. This appliance is not intended for use by persons (including children) with reduced physical, sensory or mental capabilities, or lack of experience and knowledge, unless they have been given supervision or instruction concerning use of the appliance by a person responsible for their safety.
19. Children should be supervised to ensure that they do not play with the appliance.
20. Appliances are not intended to be operated by means of an external timer or separate remote-control system.
21. Preheating of the appliance is not necessary
22. Extension Cord:
 - a) A short power-supply cord is provided to reduce the risk resulting from it becoming entangled in or tripping over a longer cord.
 - b) Extension cords can be used if care is exercised.
 - c) The marked electrical rating of the extension cord should be at least as great as the electrical rating of the appliance;
 - d) The cord should be arranged so that it will not drape over the countertop or tabletop where it can be pulled on by children or tripped over unintentionally;

WARNING

1. This appliance can be used by children aged from 8 years and above and persons with reduced physical, sensory or mental capabilities or lack of experience and knowledge if they have been given supervision or instruction concerning use of the appliance in a safe way and understand the hazards involved. Children shall not play with the appliance. Cleaning and user maintenance shall not be made by children unless they are older than 8 and supervised. Keep the appliance and its cord out of reach of children less than 8 years.
2. If the supply cord is damaged, it must be replaced by the manufacturer, its service agent or similarly qualified persons in order to avoid a hazard.
3. The bread may burn, therefore do not use the toaster near or below combustible material, such as curtains.

4. This appliance is intended to be used in household and similar applications.

FEATURES AND BENEFITS



1. **40mm wide and 120mm deep slot.**
Wide and deep slot toasts a wide variety of items.
2. **High lift control lever**
Use high control lever to raise small breads for easy removal.
3. **Reheat button**
Reheats without browning or toasting. LED lights when selected.
4. **Defrost button**
Adds extra time to the cycle for toasting frozen bread.
5. **Stop button**
Interrupts toasting process.
6. **Browning control knob**
Sets selected shade. Seven browning levels toast from light to dark.
7. **Removable crumb tray (not shown)**
Pulls out to clean crumbs that collect in bottom of toaster.

8. **Cord storage (not shown) (1 mtr.)**

Takes up excess cord and keeps countertop neat.

9. **Additional aluminium enclosure (not shown)**

For heat insulation, to minimise the affect of accidental touch.

USING THE TOASTER

Unwind the power cord. Check that the crumb tray is in place and that there is nothing in the toaster slots. Plug power cord into the wall outlet.

1. **Insert slice(s) of bread**

2. **Set the browning control**

Turn the knob to select desired toast shade:

Browning control setting	Shade
1-2	Light
3-5	Medium
6-7	Dark

Some notes on browning

Toasting is a combination of cooking and drying the bread. Therefore, to achieve the same shade, the bread different in moisture level needs varying toasting time.

- For slightly dry bread, use a lower setting than you normally would.
- For very fresh bread or whole wheat bread, use a higher setting than normal.
- Breads with very uneven surfaces (such as English muffins) will require a higher toast setting.
- Thickly cut pieces of bread (including bagels or baguettes and English muffins) will take longer to toast, sometimes significantly longer, since more moisture must be evaporated from the bread before toasting can occur. Very thick pieces may require two cycles.
- When toasting raisin bread or other fruit breads, remove any loose raisins, etc. from the surface of the bread before putting into the toaster. This will help prevent fruit pieces from falling into the toaster or sticking to the guide wires in the slot.
- Before toasting bagels/baguettes, slice each bagel/baguette into two equal halves.

Single slice toasting

If you are toasting a single slice of bread, set the browning knob to a lighter setting than you normally would. The toaster is designed to heat the whole toasting chamber for two slices. By lowering the heat for a single slice, you won't over toast.

3. **To begin toasting**

Press the carriage lever until it locks into the down position.

4. **To stop toasting**

When the toasting cycle is finished, the toast will pop-up. If you wish to stop before toasting cycle, simply press the Stop button.

Defrost button

The Defrost button is designed to first defrost and then toast the bread, which extends the toasting cycle slightly.

- **Insert slice(s) of bread.**

Be sure that multiple slices do not overlap and the carriage is in the up position.

- **Set the browning knob.**

Settings 1-2

For refrigerated breads and thinner frozen items such as frozen pancakes.

Settings 3-5

For frozen waffles, (thin) French toast and refrigerated bagels.

Settings 6-7

For thicker frozen items such as bagels, hand-cut bread and thick French toast.

- **To begin toasting**

Press the carriage lever until it locks into the down position.

- **Press the Defrost button, LED indicator feature is activated.**

- **To stop cycle**

When the defrost cycle is complete, the toaster will pop-up the bread. If you wish to stop the cycle before it is finished, simply press the Stop button to interrupt. After use, unplug the toaster from the electrical outlet.

Reheat button

The reheat feature allows you to reheat bread without browning or toasting.

- **Insert slice(s) of bread.**

Be sure that multiple slices do not overlap and the carriage is in the up position.

- **To begin reheating**

Press the carriage lever until it locks into the down position.

- **Press the Reheat button. LED indicates feature is activated.**

- **To stop cycle**

When the reheat cycle is completed, the toaster will raise the bread. If you wish to stop the cycle before it is finished, simply press the Stop button to interrupt.

CLEANING AND MAINTENANCE

1. Always allow the toaster to cool completely before cleaning.
2. Always unplug the toaster from the electrical outlet before cleaning.
3. Do not use abrasive cleaners. Simply wipe the exterior with a clean damp cloth and dry thoroughly. Apply any cleansing agent to a cloth, not to the toaster, before cleaning.
4. To remove crumbs, slide out the crumb tray and discard crumbs. Wipe clean the tray. Never operate the toaster without the crumb tray in place.
5. To remove any pieces of bread remaining in the toaster, turn the toaster upside down and gently shake. Never insert any hard or sharp instruments into the slot, as this could damage the toaster and cause a safety hazard.
6. Never wrap the cord around the outside of the toaster. Use the cord storage cleats on the bottom of the toaster.
7. Any other servicing should be performed by an authorized service representative.
8. Do not immerse the appliance in water or any liquid.
9. Never put appliance in dishwasher.

SPECIFICATIONS

Model Type & No.	POP-UP TOASTER (PT 12)
Power Supply	220-240V - 50-60 Hz
Power Consumption	1500 W
Capacity	4 Slice
Material	Stainless Steel Housing, Grade 430



WARRANTY IS NOT VALID IF THIS PRODUCT IS USED FOR COMMERCIAL PURPOSE

SUJATA POP-UP TOASTER is warranted against manufacturing defects for a period of **TWO YEARS** from the date of purchase. Within this period any defective unit will be repaired or replaced at manufacturer's option, free of cost, subject to the unit being delivered to our authorised service centre at customer's cost. The warranty does not cover damages resulting from commercial use, accident, mishandling or negligence on the part of customer or non compliance of instructions in the operating manual or if the mechanism is tampered with by the customer or any unauthorised person other than our service personnel. The warranty card duly stamped and signed by the dealer alongwith the cash memo should be produced at the authorised service centre, otherwise the warranty will be treated as invalid. Liability for consequential damages or loss is neither accepted nor implied under the warranty.

All the images on the box and manual are for illustration purposes only, specifications are subject to change without notice.



Scan to visit
www.sujataappliances.com