

SUJATA®

POP-UP TOASTER | PT01

OPERATING MANUAL

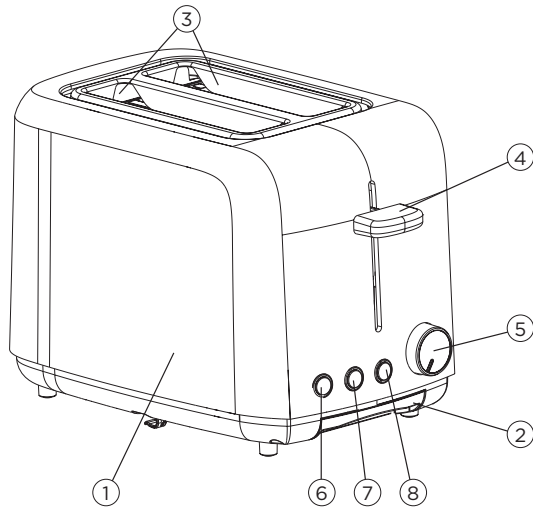


READ THE INSTRUCTIONS CAREFULLY
BEFORE OPERATING THIS POP-UP TOASTER

IDENTIFICATION OF PARTS

DESCRIPTION

1. Body
2. Slide-out crumb tray
3. Bread slot
4. Sliding lever
5. 6-settings timer
6. Cancel button
7. Reheat function button
8. Defrost function button



IMPORTANT SAFEGUARDS

- Please read this instruction manual carefully before use and keep in a safe place for future reference.
- Incorrect operation and improper handling can lead to malfunction of the appliance and injuries to the user.
- Before connecting of the appliance for the first time, check that voltage indicated on the rating label corresponds to the mains voltage in your home.
- For home use only. Do not use for industrial purposes. Do not use the appliance for any other purposes than described in this instruction manual.
- Do not use outdoors.
- Always unplug the appliance from the power supply before cleaning and when not in use.
- To prevent risk of electric shock and fire, do not immerse the appliance in water or in any other liquids. If this happens, DO NOT TOUCH the appliance, unplug it immediately and check it at the service center.
- Do not take this product into a bathroom or use near water.
- Do not place appliance or parts near an open flame, cooking or other heating appliances.
- Close supervision is necessary when it is used near children.
- Do not leave the appliance switched on when not in use.
- Do not use other attachments than those supplied.
- Do not operate after malfunction or cord damage.
- Do not attempt to repair, adjust or replace parts in the appliance. Check and repair the malfunctioning appliance at the nearest service center only.
- Keep the cord away from sharp edges and hot surfaces.
- Do not pull, twist, or wrap the power cord around appliance.
- Do not move the appliance until it cools down completely.
- Never use sharp objects to take out sliced bread. When taking out the sliced bread, be careful not to damage the heating wires.
- Do not touch any metal part of the outer surface of the appliance as it may reach a very high temperature.
- Do not insert bread slices that are too thick or wrapped in aluminum foil to avoid electric shock or fire.

CAUTION: EXTENDED TOASTING MAY CAUSE FIRE.

- Do not cover the toaster during operation.
- Bread may burn. Therefore toaster must not be used near or below curtains and other combustible materials.
- Kindly don't leave the appliance unattended while in use.
- If the supply cord is damaged, it must be replaced by the manufacturer or its service agent or a similarly qualified person in order to avoid a hazard.
- The appliance is not intended to be operated by means of an external timer or separate remote-control system.
- The surfaces are liable to get hot during use.
- This appliance is not intended for use by persons (including children) with reduced physical, sensory or mental capabilities, or lack of experience and knowledge, unless they have been given supervision or instruction concerning use of the appliance by a person responsible for their safety.
- Children should be supervised to ensure that they do not play with the appliance.

BEFORE THE FIRST USE

- Before using the toaster for the first time, clean your toaster (refer to **CLEANING AND MAINTENANCE**). Operate the toaster at least two times without bread but on the highest setting. Ventilate the room during this period.
- As with all new electric heating elements, your toaster creates a new smell when it is first switched on. This is quite normal and not a cause for concern.

HOW TO USE**TOASTING**

- Plug the toaster to the power supply and place 1 or 2 slices of bread into the bread slots of the appliance.
- Adjust the 6 setting timer to a desired level:
 - 1-minimum level;
 - 6-maximum level.
- Press down the sliding lever, the toaster will start running automatically and light indicator will go on.

- Bread slices will pop-out and the appliance will shut down automatically when toasting is finished.

REHEAT FUNCTION

- You can use reheat facility if the ready toast gets cold.
- Insert toast into the toaster and pull down the sliding lever. Press the REHEAT button. The indicator will light up.
- The cold toast can be reheated in short time without over browning.

DEFROST FUNCTION

- Press the function button "DEFROST" to prolong toasting time of frozen bread, thus the indicator light should light up.

CANCEL BUTTON

- Toasting can be reset anytime during toasting by pressing the "CANCEL" button, thus the indicator light will shut down.

CRUMB TRAY

- The crumb tray is intended for collecting the crumbs, which fall on the base of the toaster while toasting.
- Pull the crumb tray out, empty and place it back.

CLEANING AND MAINTENANCE

- Ensure that the appliance is unplugged before cleaning.
- Let the unit completely cool down.
- Do not use abrasive detergents, any organic solvents or aggressive chemicals.
- Clean off crumbs of bread, buns, etc.

STORAGE

- Switch off and unplug the appliance; let it completely cool.
- Complete all requirements of **CLEANING AND MAINTENANCE**.
- Reel on the power cord.
- Keep the appliance in a dry cool place.

SPECIFICATIONS

Model Type & No.	POP-UP TOASTER (PT 01)
Power Supply	220-240V - 50-60 Hz
Power Consumption	830 W
Capacity	2 Slice
Material	Plastic Housing



WARRANTY IS NOT VALID IF THIS PRODUCT IS USED FOR COMMERCIAL PURPOSE

SUJATA POP-UP TOASTER is warranted against manufacturing defects for a period of **TWO YEARS** from the date of purchase. Within this period, any defective unit will be repaired or replaced at manufacturer's option, free of cost, subject to the unit being delivered to our authorised service centre at customer's cost. The warranty does not cover damages resulting from commercial use, accident, mishandling or negligence on the part of customer or non compliance of instructions in the operating manual or if the mechanism is tampered with by the customer or any unauthorised person other than our service personnel. The warranty card duly stamped and signed by the dealer alongwith the cash memo should be produced at the authorised service centre, otherwise the warranty will be treated as invalid. Liability for consequential damages or loss is neither accepted nor implied under the warranty.

All the images on the box and manual are for illustration purposes only, specifications are subject to change without notice.



Scan to visit
www.sujataappliances.com

SUJATA®

POP-UP TOASTER | PT01

OPERATING MANUAL

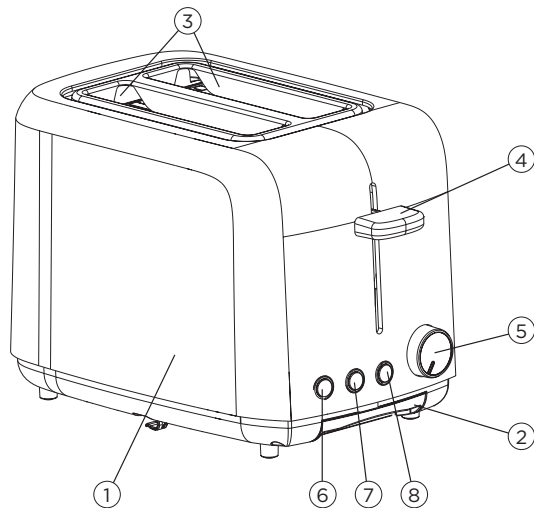


READ THE INSTRUCTIONS CAREFULLY
BEFORE OPERATING THIS POP-UP TOASTER

IDENTIFICATION OF PARTS

DESCRIPTION

1. Body
2. Slide-out crumb tray
3. Bread slot
4. Sliding lever
5. 6-settings timer
6. Cancel button
7. Reheat function button
8. Defrost function button



IMPORTANT SAFEGUARDS

- Please read this instruction manual carefully before use and keep in a safe place for future reference.
- Incorrect operation and improper handling can lead to malfunction of the appliance and injuries to the user.
- Before connecting of the appliance for the first time, check that voltage indicated on the rating label corresponds to the mains voltage in your home.
- For home use only. Do not use for industrial purposes. Do not use the appliance for any other purposes than described in this instruction manual.
- Do not use outdoors.
- Always unplug the appliance from the power supply before cleaning and when not in use.
- To prevent risk of electric shock and fire, do not immerse the appliance in water or in any other liquids. If this happens, DO NOT TOUCH the appliance, unplug it immediately and check it at the service center.
- Do not take this product into a bathroom or use near water.
- Do not place appliance or parts near an open flame, cooking or other heating appliances.
- Close supervision is necessary when it is used near children.
- Do not leave the appliance switched on when not in use.
- Do not use other attachments than those supplied.
- Do not operate after malfunction or cord damage.
- Do not attempt to repair, adjust or replace parts in the appliance. Check and repair the malfunctioning appliance at the nearest service center only.
- Keep the cord away from sharp edges and hot surfaces.
- Do not pull, twist, or wrap the power cord around appliance.
- Do not move the appliance until it cools down completely.
- Never use sharp objects to take out sliced bread. When taking out the sliced bread, be careful not to damage the heating wires.
- Do not touch any metal part of the outer surface of the appliance as it may reach a very high temperature.
- Do not insert bread slices that are too thick or wrapped in aluminum foil to avoid electric shock or fire.

CAUTION: EXTENDED TOASTING MAY CAUSE FIRE.

- Do not cover the toaster during operation.
- Bread may burn. Therefore toaster must not be used near or below curtains and other combustible materials.
- Kindly don't leave the appliance unattended while in use.
- If the supply cord is damaged, it must be replaced by the manufacturer or its service agent or a similarly qualified person in order to avoid a hazard.
- The appliance is not intended to be operated by means of an external timer or separate remote-control system.
- The surfaces are liable to get hot during use.
- This appliance is not intended for use by persons (including children) with reduced physical, sensory or mental capabilities, or lack of experience and knowledge, unless they have been given supervision or instruction concerning use of the appliance by a person responsible for their safety.
- Children should be supervised to ensure that they do not play with the appliance.

BEFORE THE FIRST USE

- Before using the toaster for the first time, clean your toaster (refer to **CLEANING AND MAINTENANCE**). Operate the toaster at least two times without bread but on the highest setting. Ventilate the room during this period.
- As with all new electric heating elements, your toaster creates a new smell when it is first switched on. This is quite normal and not a cause for concern.

HOW TO USE**TOASTING**

- Plug the toaster to the power supply and place 1 or 2 slices of bread into the bread slots of the appliance.
- Adjust the 6 setting timer to a desired level:
 - 1-minimum level;
 - 6-maximum level.
- Press down the sliding lever, the toaster will start running automatically and light indicator will go on.

- Bread slices will pop-out and the appliance will shut down automatically when toasting is finished.

REHEAT FUNCTION

- You can use reheat facility if the ready toast gets cold.
- Insert toast into the toaster and pull down the sliding lever. Press the REHEAT button. The indicator will light up.
- The cold toast can be reheated in short time without over browning.

DEFROST FUNCTION

- Press the function button "DEFROST" to prolong toasting time of frozen bread, thus the indicator light should light up.

CANCEL BUTTON

- Toasting can be reset anytime during toasting by pressing the "CANCEL" button, thus the indicator light will shut down.

CRUMB TRAY

- The crumb tray is intended for collecting the crumbs, which fall on the base of the toaster while toasting.
- Pull the crumb tray out, empty and place it back.

CLEANING AND MAINTENANCE

- Ensure that the appliance is unplugged before cleaning.
- Let the unit completely cool down.
- Do not use abrasive detergents, any organic solvents or aggressive chemicals.
- Clean off crumbs of bread, buns, etc.

STORAGE

- Switch off and unplug the appliance; let it completely cool.
- Complete all requirements of **CLEANING AND MAINTENANCE**.
- Reel on the power cord.
- Keep the appliance in a dry cool place.

SPECIFICATIONS

Model Type & No.	POP-UP TOASTER (PT 01)
Power Supply	220-240V - 50-60 Hz
Power Consumption	830 W
Capacity	2 Slice
Material	Plastic Housing



WARRANTY IS NOT VALID IF THIS PRODUCT IS USED FOR COMMERCIAL PURPOSE

SUJATA POP-UP TOASTER is warranted against manufacturing defects for a period of **TWO YEARS** from the date of purchase. Within this period, any defective unit will be repaired or replaced at manufacturer's option, free of cost, subject to the unit being delivered to our authorised service centre at customer's cost. The warranty does not cover damages resulting from commercial use, accident, mishandling or negligence on the part of customer or non compliance of instructions in the operating manual or if the mechanism is tampered with by the customer or any unauthorised person other than our service personnel. The warranty card duly stamped and signed by the dealer alongwith the cash memo should be produced at the authorised service centre, otherwise the warranty will be treated as invalid. Liability for consequential damages or loss is neither accepted nor implied under the warranty.

All the images on the box and manual are for illustration purposes only, specifications are subject to change without notice.



Scan to visit
www.sujataappliances.com