

# SUJATA®



ELECTRIC KETTLE | EK01

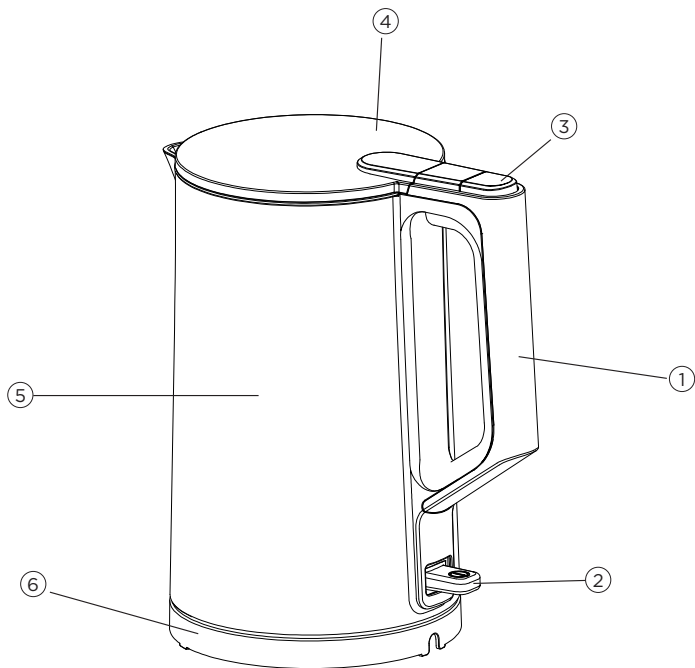
## OPERATING MANUAL



READ THE INSTRUCTIONS CAREFULLY  
BEFORE OPERATING THIS ELECTRIC KETTLE



## IDENTIFICATION OF PARTS



1. Handle
2. On/Off Button with Power light
3. Lid opening push button
4. Lid
5. Body
6. Base

## SAFETY

- By ignoring the safety instructions, the manufacturer cannot be held responsible for the damage.
- If the supply cord is damaged, it must be replaced by the manufacturer, its service agent or similarly qualified persons in order to avoid a hazard.
- Never move the appliance by pulling the cord and make sure the cord does not get entangled.
- The appliance must be placed on a stable, level surface.
- The user must not leave the appliance unattended while it is connected to the supply.
- This appliance is only to be used for household purposes and only for the purpose it is made for.
- This appliance shall not be used by children aged less than 8 years. This appliance can be used by children aged from 8 years and above and persons with reduced physical, sensory or mental capabilities or lack of experience and knowledge if they have been given supervision or instruction concerning use of the appliance in a safe way and understand the hazards involved. Children shall not play with the appliance. Keep the appliance and its cord out of reach of children aged less than 8 years. Cleaning and user maintenance shall not be made by children unless older than 8 and supervised.
- To protect yourself against an electric shock, do not immerse the cord, plug or appliance in the water or any other liquid.
- This appliance is intended to be used in household and similar applications
- If the kettle is overfilled, boiling water may spill out.
- Do not remove the lid while the water is boiling.
- Please use the kettle only with the stand provided.
- **CAUTION:** Ensure that the kettle is switched off before removing it from its stand.
- **WARNING:** The lid must not be opened when the power is on.
- The heating element surface is subject to residual heat after use.
- **WARNING:** Serious injuries can occur in case of misusing the appliance and accessories.

## BEFORE THE FIRST USE

- Take the appliance and accessories out the box. Remove the stickers, protective foil or plastic from the appliance.
- Place the appliance on a flat stable surface and ensure enough free space around the appliance. This appliance is not suitable for installation in a cabinet or for outdoor use.
- Before the first use boil a full kettle of water to clean the kettle and discard this water.

## USE

- Always remove the kettle from the base when filling it, this to avoid water dripping into the base.
- Make sure the water level will never exceed the maximum level mark.
- If not enough water is used, the kettle will switch off, with too much water it may boil over. Switch the appliance on by pressing at the on/off switch. The indicator light will be illuminated. Once the water has boiled, the on/off switch returns automatically to the off position.
- If the appliance is accidentally switched on when empty, the boil-dry protection will automatically switch it off. Adding cool water will cool the boil-dry protection mechanism which enables you to use the kettle as normal.

## CLEANING AND MAINTENANCE

- Before cleaning, unplug the appliance and wait for the appliance to cool down.
- Use a soft damp cloth to clean the housing of the appliance.
- Clean the appliance with a damp cloth. Never use harsh and abrasive cleaners, scouring pad or steel wool, which damage the appliance.
- Never immerse the kettle and base in water or any other liquids.
- The appliance should be regularly decalcified. Use a descaling product which is suitable for household appliances.
- Rinse the kettle several times with clean water after descaling.

## SPECIFICATIONS

<b>Model Type &amp; No.</b>	ELECTRIC KETTLE (EK 01)
<b>Power Supply</b>	220-240V - 50-60 Hz
<b>Power Consumption</b>	1500 W
<b>Capacity</b>	1.5 Litre
<b>Tank &amp; Inner Lid Material</b>	304 SS
<b>Controller</b>	Strix Controller
<b>Key Feature</b>	3 way cut off



### WARRANTY IS NOT VALID IF THIS PRODUCT IS USED FOR COMMERCIAL PURPOSE

**SUJATA ELECTRIC KETTLE** is warranted against manufacturing defects for a period of **TWO YEARS** from the date of purchase. Within this period, any defective unit will be repaired or replaced at manufacturer's option, free of cost, subject to the unit being delivered to our authorised service centre at customer's cost. The warranty does not cover damages resulting from commercial use, accident, mishandling or negligence on the part of customer or non compliance of instructions in the operating manual or if the mechanism is tampered with by the customer or any unauthorised person other than our service personnel. The warranty card duly stamped and signed by the dealer alongwith the cash memo should be produced at the authorised service centre, otherwise the warranty will be treated as invalid. Liability for consequential damages or loss is neither accepted nor implied under the warranty.

All the images on the box and manual are for illustration purposes only, specifications are subject to change without notice.





Scan to visit  
[www.sujataappliances.com](http://www.sujataappliances.com)



# SUJATA®



ELECTRIC KETTLE | EK01

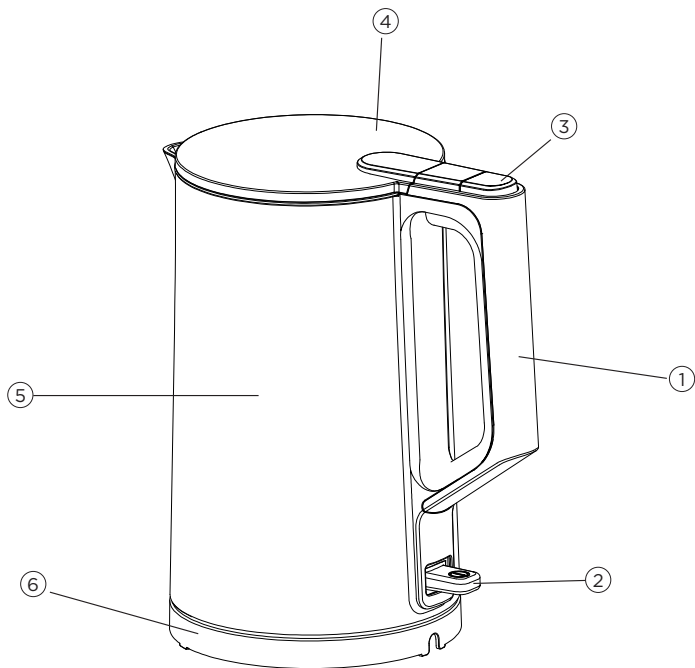
## OPERATING MANUAL



READ THE INSTRUCTIONS CAREFULLY  
BEFORE OPERATING THIS ELECTRIC KETTLE



## IDENTIFICATION OF PARTS



1. Handle
2. On/Off Button with Power light
3. Lid opening push button
4. Lid
5. Body
6. Base

## SAFETY

- By ignoring the safety instructions, the manufacturer cannot be held responsible for the damage.
- If the supply cord is damaged, it must be replaced by the manufacturer, its service agent or similarly qualified persons in order to avoid a hazard.
- Never move the appliance by pulling the cord and make sure the cord does not get entangled.
- The appliance must be placed on a stable, level surface.
- The user must not leave the appliance unattended while it is connected to the supply.
- This appliance is only to be used for household purposes and only for the purpose it is made for.
- This appliance shall not be used by children aged less than 8 years. This appliance can be used by children aged from 8 years and above and persons with reduced physical, sensory or mental capabilities or lack of experience and knowledge if they have been given supervision or instruction concerning use of the appliance in a safe way and understand the hazards involved. Children shall not play with the appliance. Keep the appliance and its cord out of reach of children aged less than 8 years. Cleaning and user maintenance shall not be made by children unless older than 8 and supervised.
- To protect yourself against an electric shock, do not immerse the cord, plug or appliance in the water or any other liquid.
- This appliance is intended to be used in household and similar applications
- If the kettle is overfilled, boiling water may spill out.
- Do not remove the lid while the water is boiling.
- Please use the kettle only with the stand provided.
- **CAUTION:** Ensure that the kettle is switched off before removing it from its stand.
- **WARNING:** The lid must not be opened when the power is on.
- The heating element surface is subject to residual heat after use.
- **WARNING:** Serious injuries can occur in case of misusing the appliance and accessories.

## BEFORE THE FIRST USE

- Take the appliance and accessories out the box. Remove the stickers, protective foil or plastic from the appliance.
- Place the appliance on a flat stable surface and ensure enough free space around the appliance. This appliance is not suitable for installation in a cabinet or for outdoor use.
- Before the first use boil a full kettle of water to clean the kettle and discard this water.

## USE

- Always remove the kettle from the base when filling it, this to avoid water dripping into the base.
- Make sure the water level will never exceed the maximum level mark.
- If not enough water is used, the kettle will switch off, with too much water it may boil over. Switch the appliance on by pressing at the on/off switch. The indicator light will be illuminated. Once the water has boiled, the on/off switch returns automatically to the off position.
- If the appliance is accidentally switched on when empty, the boil-dry protection will automatically switch it off. Adding cool water will cool the boil-dry protection mechanism which enables you to use the kettle as normal.

## CLEANING AND MAINTENANCE

- Before cleaning, unplug the appliance and wait for the appliance to cool down.
- Use a soft damp cloth to clean the housing of the appliance.
- Clean the appliance with a damp cloth. Never use harsh and abrasive cleaners, scouring pad or steel wool, which damage the appliance.
- Never immerse the kettle and base in water or any other liquids.
- The appliance should be regularly decalcified. Use a descaling product which is suitable for household appliances.
- Rinse the kettle several times with clean water after descaling.

## SPECIFICATIONS

<b>Model Type &amp; No.</b>	ELECTRIC KETTLE (EK 01)
<b>Power Supply</b>	220-240V - 50-60 Hz
<b>Power Consumption</b>	1500 W
<b>Capacity</b>	1.5 Litre
<b>Tank &amp; Inner Lid Material</b>	304 SS
<b>Controller</b>	Strix Controller
<b>Key Feature</b>	3 way cut off



### WARRANTY IS NOT VALID IF THIS PRODUCT IS USED FOR COMMERCIAL PURPOSE

**SUJATA ELECTRIC KETTLE** is warranted against manufacturing defects for a period of **TWO YEARS** from the date of purchase. Within this period, any defective unit will be repaired or replaced at manufacturer's option, free of cost, subject to the unit being delivered to our authorised service centre at customer's cost. The warranty does not cover damages resulting from commercial use, accident, mishandling or negligence on the part of customer or non compliance of instructions in the operating manual or if the mechanism is tampered with by the customer or any unauthorised person other than our service personnel. The warranty card duly stamped and signed by the dealer alongwith the cash memo should be produced at the authorised service centre, otherwise the warranty will be treated as invalid. Liability for consequential damages or loss is neither accepted nor implied under the warranty.

All the images on the box and manual are for illustration purposes only, specifications are subject to change without notice.





Scan to visit  
[www.sujataappliances.com](http://www.sujataappliances.com)