

SUJATA[®]

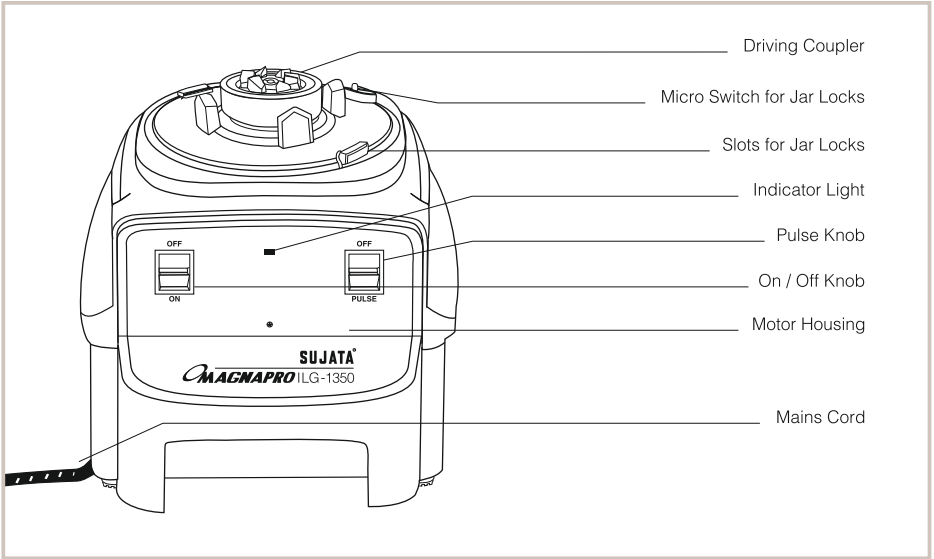
MAGNA PRO ILG-1350
MIXER / GRINDER



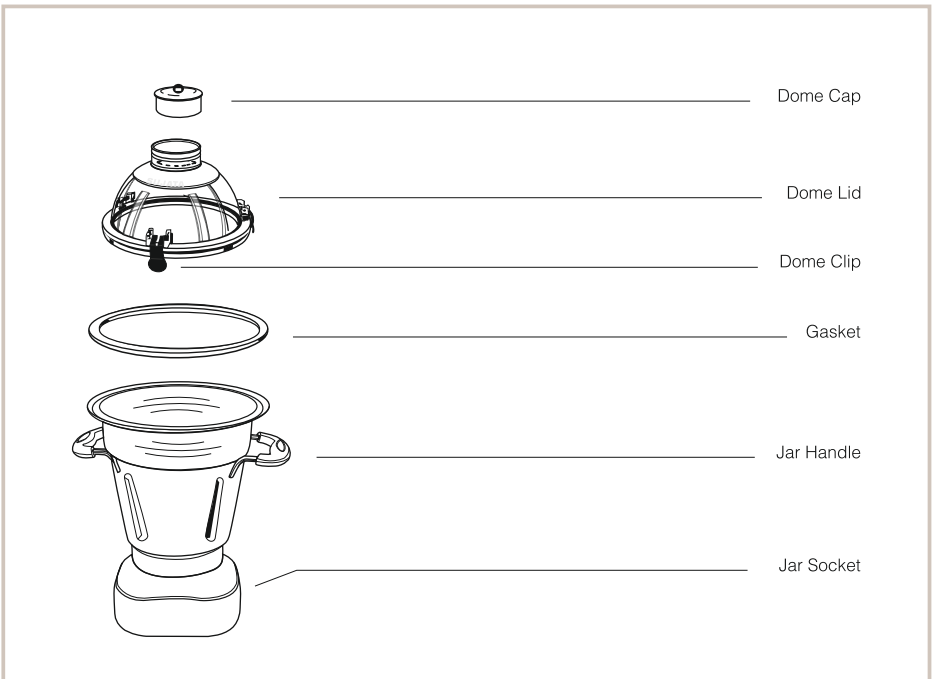
Before operating this set, read the instructions carefully.

IDENTIFICATION OF PARTS

MOTOR UNIT

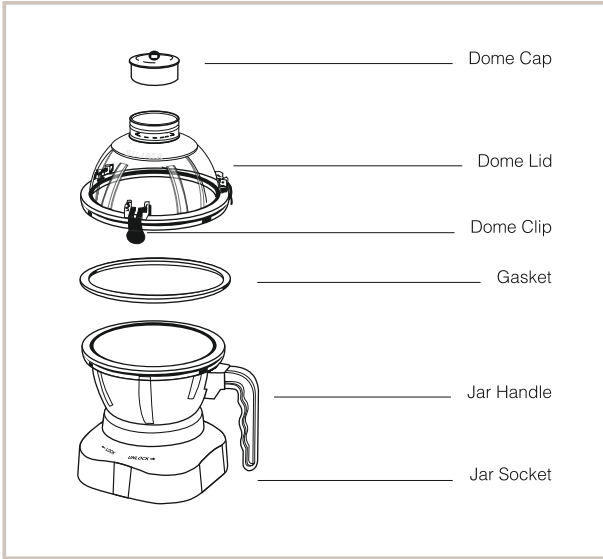


LARGE JAR

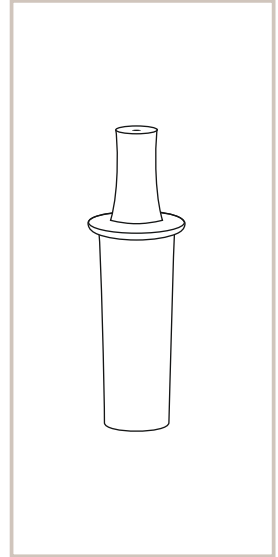


IDENTIFICATION OF PARTS

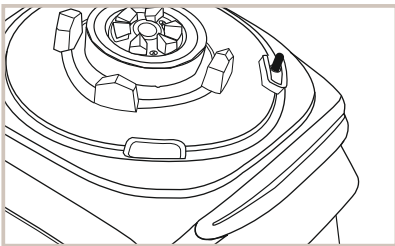
SMALL JAR



PLUNGER

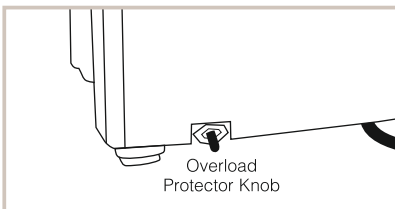


MICRO SWITCH FOR JAR LOCKING



A Micro Switch has been provided on the top of the Motor Unit. It does not let the Motor start unless the Jar has been locked properly onto the locks provided on the Motor Unit and therefore provides safety against Jar falling of when the machine is ON.

OVERLOAD PROTECTOR

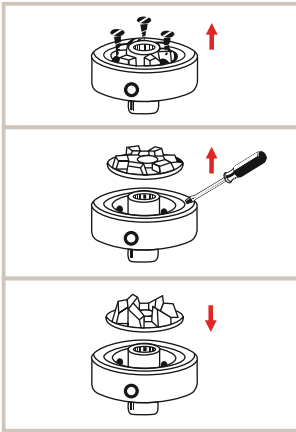


An Overload Protector has been fit into the Motor Unit at the bottom end of its back (from where the mains cord comes out) as shown in the picture.

In the back case of the Motor being over loaded, the Overload Protector switches off the Motor. If it happens so, reduce the quantity of food material in the Jar. And press the Overload Protector knob after about 2 minutes to restart the Motor.

HOW TO CHANGE THE DRIVING GEAR

If proper care is taken to ensure that the **motor stops completely before mounting, removing or replacing the jar**, the Driving Gear may never get damaged. In case carelessness occurs and **Driving Gear Teeth** get worn off, the set of Teeth can be easily replaced at home. A set of "**Driving Gear Teeth and Screws**" can be purchased from the Service Centre.

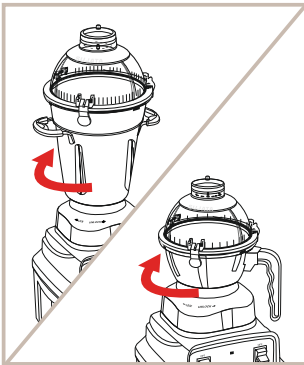


Unscrew the three screws located amidst the Teeth of Driving Gear.

Lift up the worn set of Teeth from the Driving Base by putting a screw driver in any of the two grooves provided.

Clean the top surface of the Driving Base with a dry cloth. Put a new set of **Driving Gear Teeth** and tighten with screws. Use either the old screws or the new ones (provided with the set). Screws of a different size may damage the unit.

USING THE JARS

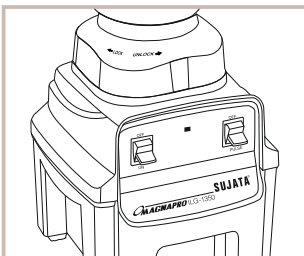


Place the Jar onto the Motor Unit firmly and turn clockwise to ensure that it locks properly.

If the locking is not proper, the Micro switch will not let the Motor start.

Now the food material can be put into the Jar and Dome Lid with Cap should be fixed onto the Jar.

The appliance should not be connected to electric supply until the Jars have been locked properly and lids put in place.

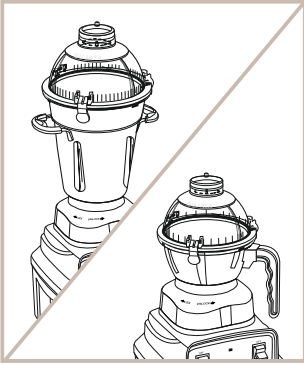


Once the Jar has been locked properly onto the Motor Unit and lids put in place, connect the appliance to an electric supply.

Pulse Knob will keep the Motor ON as long as it is kept pressed down. It is used for momentary action to rotate the material inside the jar evenly so that it can be processed properly.

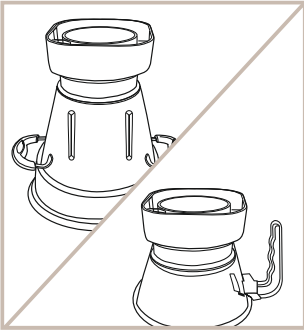
The other Knob will keep the Motor running as long as the Knob is kept in ON position.

CLEANING THE JARS



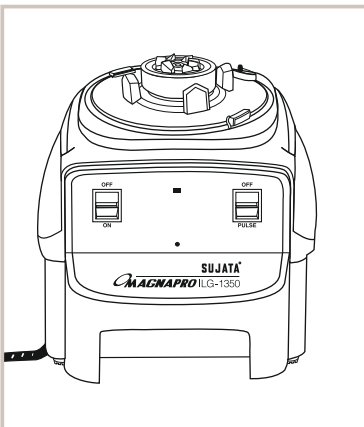
To clean the jars quickly and thoroughly, fill the jar one third full of luke warm water, and add a few drops of detergent or soap flakes. Switch the motor ON and run for some time. The soapy water will clean the jar. Switch off the motor and empty the jar.

Refill the jar with fresh water without any detergent. Restart the motor and empty the jar again after switching off.



Place the jar upside - down to drain out the water and wipe with a dry cloth.

CLEANING THE MOTOR UNIT



To clean the motor housing, simply wipe with a damp cloth and dry. **Never immerse motor housing in water.**

PRECAUTIONS, CARE AND MAINTENANCE

- ❑ Before first use or after long unuse, check to see if shaft of the jar rotates smoothly.
- ❑ Always place the jars onto the motor unit properly in order to avoid vibration and mismatching of the jar's gear with the driving gear of the motor unit.
- ❑ The air ventilation holes at the bottom of the motor unit may get blocked if the machine is used on any thin plastic sheet, cloth or paper etc., as they get sucked up, blocking the ventilation holes and causing excessive heating up of the motor.
- ❑ Insert plunger / spatula (**only when the motor is switched off**) in the large opening in the centre of dome to stir the ingredients between operations instead of opening the entire dome.
- ❑ The motor operates at optimum efficiency at the specified voltage only. Wide voltage fluctuations during operation might affect quality of grinding. If your area faces such periodic fluctuations use a voltage stabilizer.
- ❑ After using the machine, the switch must be turned off and electric supply disconnected by pulling the plug (not the cord).
- ❑ Do not let cord hang over the edges of tables or counter or touch hot surfaces.
- ❑ To protect against electrical hazards, do not immerse motor unit or cord plug in water or other liquids. Never use on wet surfaces.
- ❑ **Keep away from the moving parts and cutters. Do not insert finger, knife etc. in jar while in operation.**
- ❑ **Do not remove or replace any attachment or attachment cover when the motor is ON.**
- ❑ Switch off the motor, if it stalls or smoke emanates from the motor.
- ❑ Keep Machine away from direct heat or sun. Never wash the parts in hot water.
- ❑ Always cool the very hot ingredients before pouring into the jar.

SPECIFICATIONS★

Model Type & No.	: SUJATA <i>MAGNA</i>PRO ILG-1350 MIXER / GRINDER
Motor	: Heavy duty, universal type 1350 Watts with double ball bearing.
Power Supply	: 230 to 240 Volts, AC 50 - 60 Hz.
Power Consumption	: 1350 Watts on maximum load.
Rating	: 90 minutes.
Speed Control	: Single Speed with Switch Knob. : Pulse Knob for momentary motion.
Motor Speed	: No load speed maximum approx. 18000 R.P.M.
Protection	: Class I double insulated.
Flex Cord	: P.V.C. approx. 2.25 meters with 16 Amp. 3 pin plug.
Net Weight with Carton	: 9.500 Kgs. approx.
Dimensions (in Cms.)	: 66 x 33 x 34
Capacity of Jars	: Large Jar : 3000 ml. Small Jar : 500 ml.

★ Due to continuous upgradation in quality, design and specifications can be changed at any time without notice.

**ONE YEAR
WARRANTY**

SUJATA®



MAGNA PRO ILG-1350
MIXER / GRINDER

is warranted against manufacturing defects for a period of ONE YEAR from the date of purchase. Within this period any defective unit will be repaired or replaced at manufacturer's option free of cost subject to the unit being **delivered to our authorized service centre at customer's cost.**

The warranty does not cover wear and tear of plastic/rubber components and damages resulting from accident, mis-handling or negligence on the part of customer or non compliance of instructions in the operating manual or if the mechanism is tampered with by the customer or any unauthorized person other than our service personnel.

The warranty card duly stamped and signed by the dealer alongwith the cash memo should be produced to the authorised service centre, otherwise the warranty will be treated as invalid. Liability for consequential damages or loss is neither accepted nor implied under the warranty.

SUJATA®



Sr. No. _____

Checked by _____

Cash Memo No. _____

Date _____

Customer's name & Address _____

Customer's telephone _____

Signature of the Dealer

**RUBBER STAMP
OF
THE DEALER**

MAGNAPRO ILG-1350
MIXER / GRINDER